

4

3

2

1

THIS DRAWING IS UNPUBLISHED.

RELEASED FOR PUBLICATION ,19 .

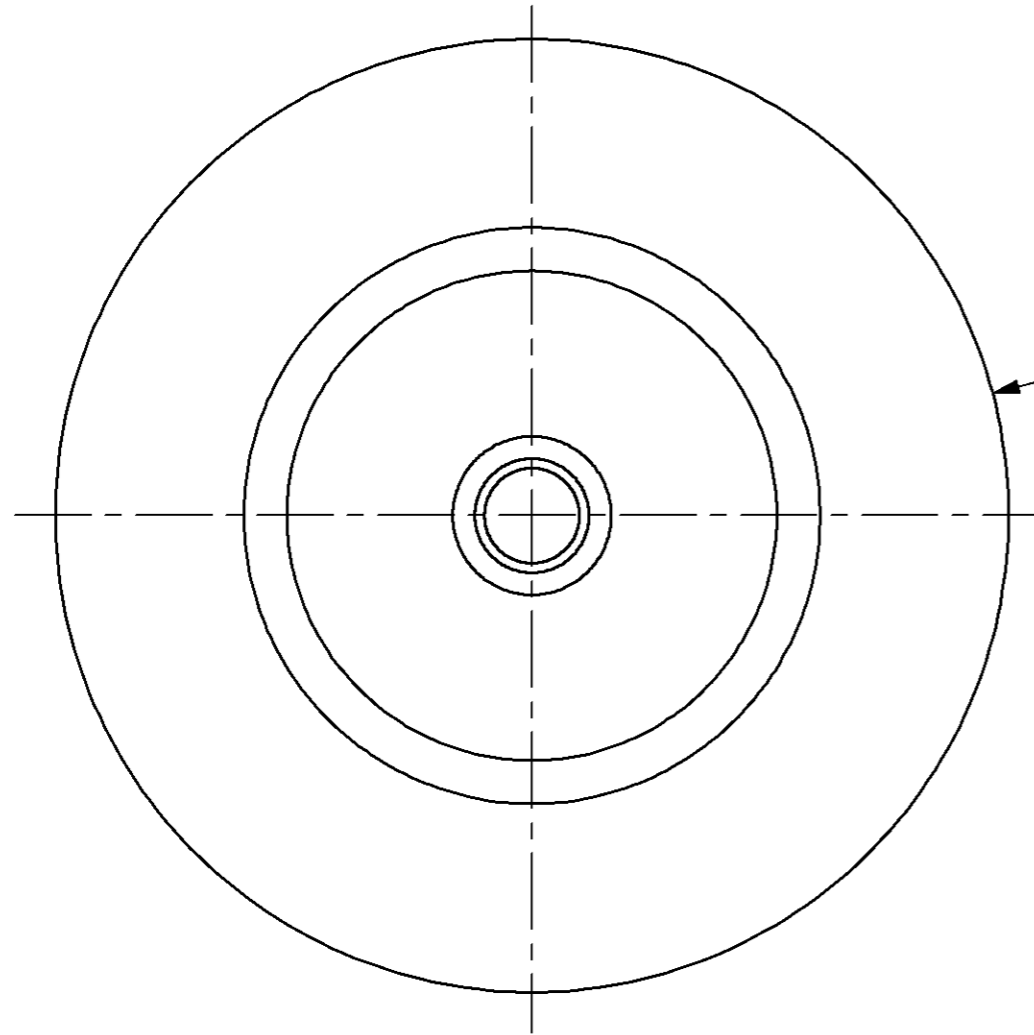
© COPYRIGHT 19

BY AMP INCORPORATED. ALL RIGHTS RESERVED.

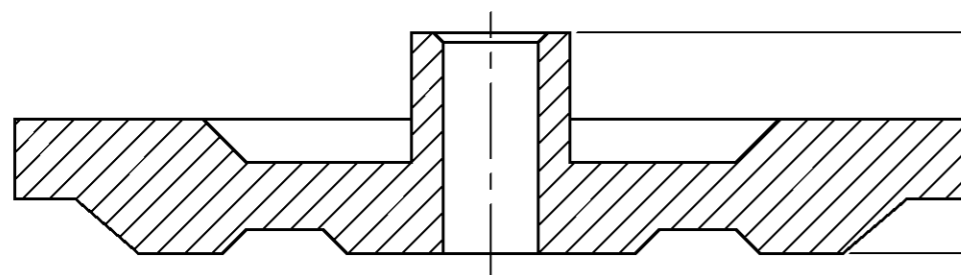
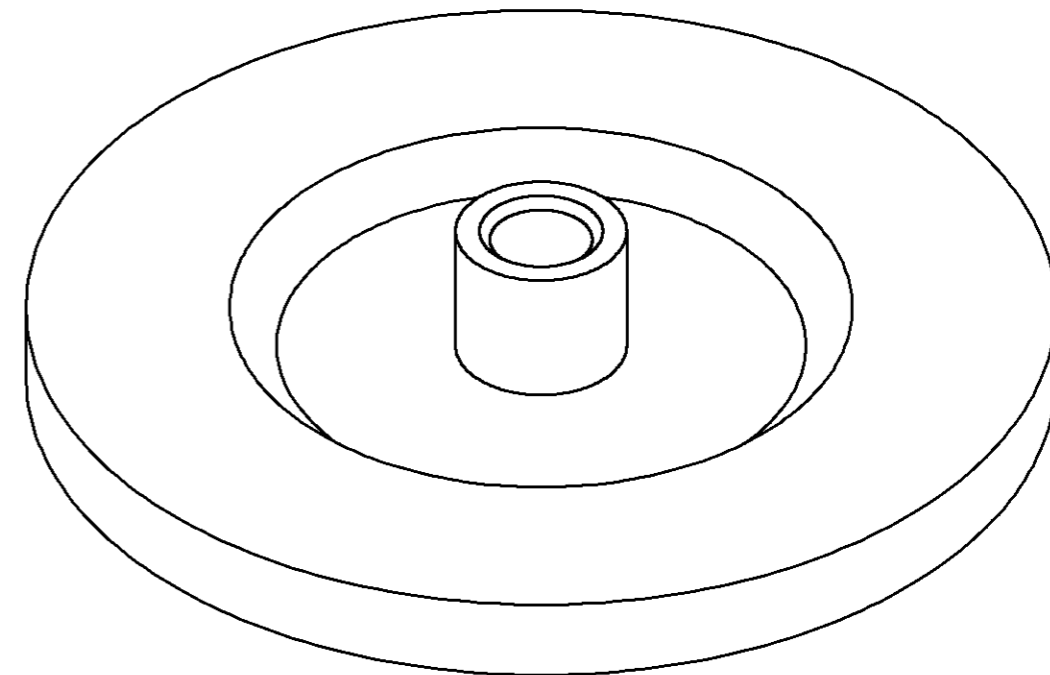
LOC  
CE DIST  
16

REVISIONS

P	LTR	DESCRIPTION	DATE	DWN	APVD
0		RELEASE PER NPR 95-337	12-15-95	BB	BP



∅ 25.27/25.15  
[ .995 / .990 ]



5.97/5.72  
[ .235 / .225 ]

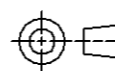
504862-1

PART NUMBER

THIS DRAWING IS A CONTROLLED DOCUMENT FOR AMP INCORPORATED.  
IT IS SUBJECT TO CHANGE AND THE CONTROLLING ENGINEERING  
ORGANIZATION SHOULD BE CONTACTED FOR THE LATEST REVISION.

DIMENSIONS:  
mm [INCHES]

TOLERANCES UNLESS  
OTHERWISE SPECIFIED:



0 PLC	±-
1 PLC	±-
2 PLC	±-
3 PLC	±-
4 PLC	±-
ANGLES	±-

MATERIAL

STAINLESS STEEL

FINISH

-

DWN

B. BRIGGS

CHK

B. PARKER

APVD

D. STAKEM

PRODUCT SPEC

-

APPLICATION SPEC

-

WEIGHT

-

CUSTOMER DRAWING

**AMP**

AMP Incorporated  
Harrisburg, PA 17105-3608

NAME

POLISHING BUSHING, FC, STC, AND BNC

SIZE

CAGE CODE

DRAWING NO

A3

00779

C-504862

SCALE 5:1

SHEET 1 OF 1

REV 0